

THIS DRAWING IS UNPUBLISHED. RELEASED FOR PUBLICATION
 © COPYRIGHT BY TYCO ELECTRONICS CORPORATION. ALL RIGHTS RESERVED.

PHYSICAL PROPERTIES:
 HOUSING MATERIAL: PBT
 FLAMMABILITY: UL94V-0
 COLOR: BLACK
 MAX BOW/WARP: .0056 IN/IN.

TERMINAL:
 TERMINALS: BRASS, TIN PLATED. (UNLESS OTHERWISE STATED)
 SCREWS: 8-32 STEEL, NICKEL PLATED. (UNLESS OTHERWISE STATED)
 Q.C. TABS: BRASS, NICKEL PLATED.

MECHANICAL:
 PITCH (TERMINAL SPACING): .563"
 WIRE RANGE: 10-22 AWG
 RECOMMENDED TIGHTENING TORQUE: 14IN-LBS MAX.

ELECTRICAL PROPERTIES:
 MAXIMUM CURRENT: 30A
 OPERATING VOLTAGE: 300V

ENVIRONMENTAL PROPERTIES:
 OPERATING TEMP RANGE: -40°C TO 120°C

- ① STAINLESS STEEL SCREWS.
- ② WHITE INK STAMP.
- ③ NICKEL PLATED BRASS TERMINALS.
- ④ NICKEL PLATED BRASS SCREWS.
- ⑤ SEE FIGURE.
- ⑥ PRELIMINARY PART NUMBER.
- ⑦ OBSOLETE PART NUMBER.
- ⑧ TE LOGO LOCATED APPROXIMATE AREA SHOWN.

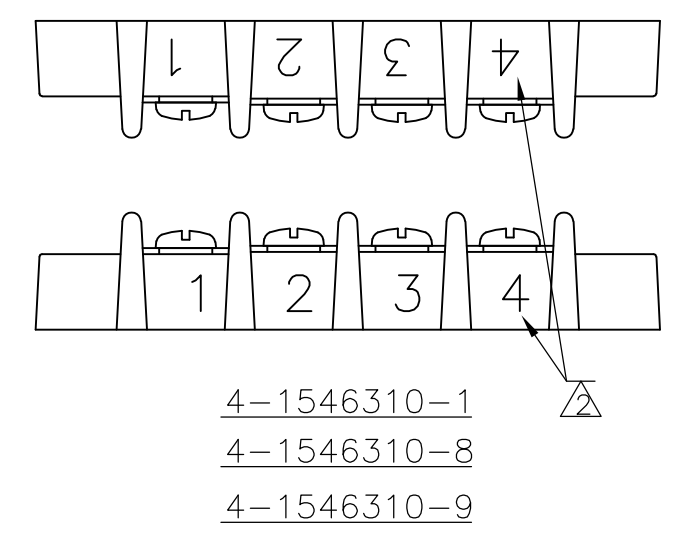
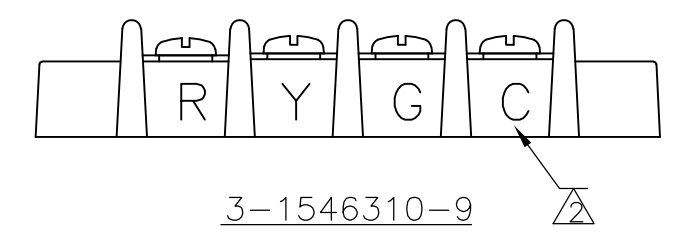
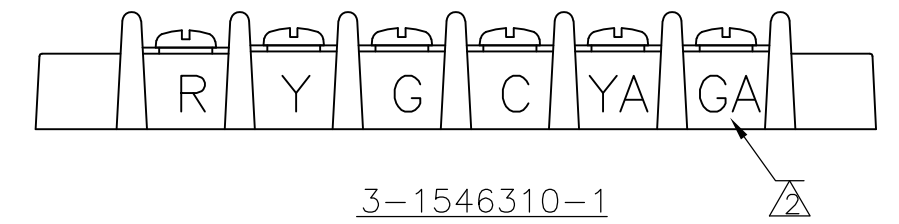
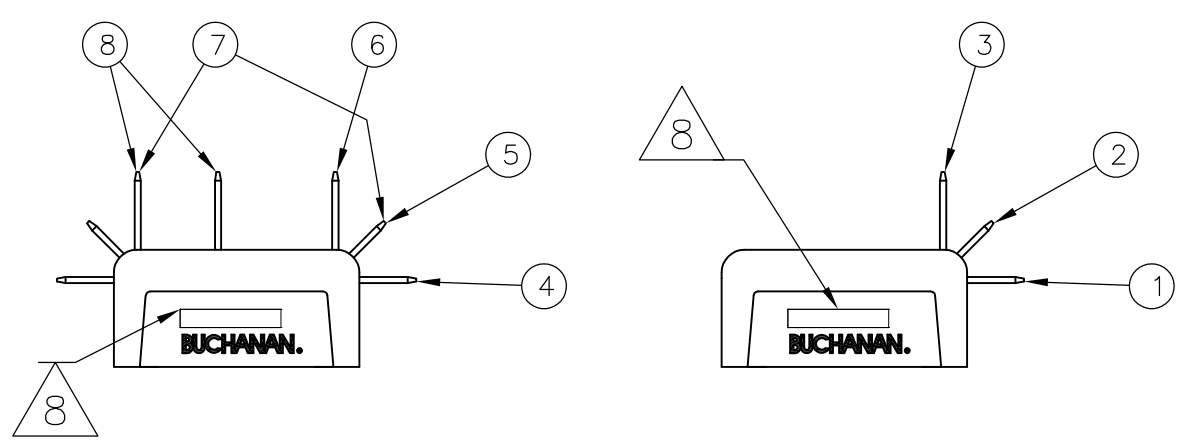
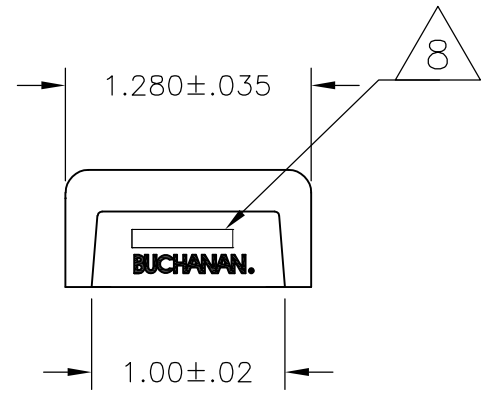
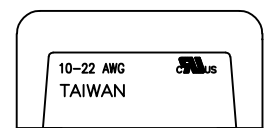
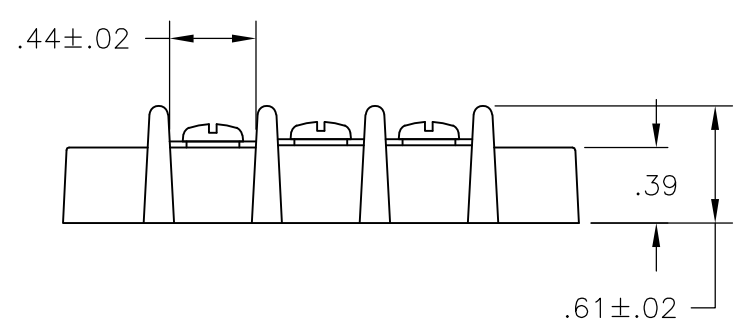
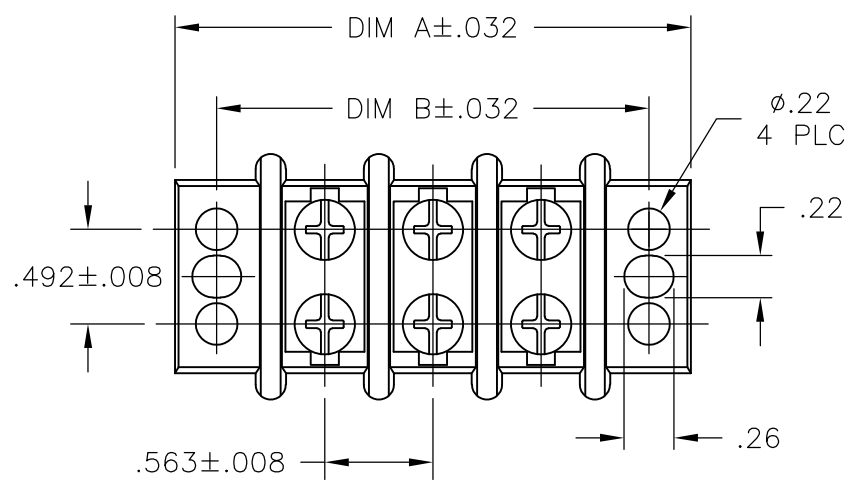
LOC	DIST	REVISIONS					
FT	0	P	LTR	DESCRIPTION	DATE	DWN	APVD
			T2	REVISED PER ECO-10-009056	09AUG10	HMR	CR

LOC	DIST	P	LTR	DESCRIPTION	DATE	DWN	APVD	DIM B	DIM A	NO. OF POSN	PART NUMBER	
⑥⑤	-	-	-	-	-	-	-	7.886	8.323	13	1-1546310-3	
②⑥	-	-	-	-	12	12	12	7.323	7.760	12	4-1546310-8	
⑥	-	8	-	-	12	12	12	7.323	7.760	12	4-1546310-7	
	-	-	-	-	12	12	12	7.323	7.760	12	4-1546310-6	
	-	-	-	-	-	-	-	7.323	7.760	12	1-1546310-2	
	-	-	-	-	-	-	-	6.760	7.179	11	1-1546310-1	
	-	-	-	-	-	-	-	6.197	6.634	10	1-1546310-0	
	-	-	-	-	-	-	-	5.634	6.071	9	1546310-9	
④	-	-	-	-	-	-	-	8	5.071	5.508	8	4-1546310-5
	-	8	8	-	-	-	-	5.071	5.508	8	2-1546310-9	
	-	-	-	-	-	-	-	5.071	5.508	8	1546310-8	
	-	-	-	-	7	-	-	4.508	4.945	7	3-1546310-8	
	-	-	-	-	-	-	-	4.508	4.945	7	1546310-7	
④	-	-	-	-	-	-	-	6	3.945	4.382	6	4-1546310-4
④⑥	-	-	-	-	-	-	-	3.945	4.382	6	4-1546310-3	
	-	-	-	-	-	-	-	3.945	4.382	6	4-1546310-2	
⑤③②①	-	-	-	-	-	-	-	3.945	4.382	6	3-1546310-1	
	-	-	-	-	6	-	-	3.945	4.382	6	3-1546310-0	
	-	6	6	-	-	-	-	3.945	4.382	6	2-1546310-8	
⑥⑤④③	-	1	1	-	5	1	-	3.945	4.382	6	2-1546310-6	
⑥①	-	-	-	-	-	-	6	3.945	4.382	6	2-1546310-3	
⑥①	-	-	-	6	-	-	-	3.945	4.382	6	2-1546310-2	
⑥	-	-	-	-	-	-	6	3.945	4.382	6	2-1546310-1	
⑥⑤②	-	-	-	-	-	-	6	3.945	4.382	6	1546636-1	
⑥①	-	-	-	6	-	-	6	3.945	4.382	6	1-1546310-9	
①	-	-	-	6	-	-	-	3.945	4.382	6	1546589-1	
	-	-	-	-	-	-	-	3.945	4.382	6	1546310-6	
	-	-	-	-	5	-	-	3.382	3.819	5	3-1546310-7	
⑥⑤④③	-	1	1	-	-	1	-	3.382	3.819	5	2-1546310-7	
	-	-	-	-	-	-	-	3.382	3.819	5	1546310-5	
②⑥	-	-	-	-	-	-	4	2.819	3.256	4	5-1546310-0	
⑤④③②	-	-	-	-	-	-	-	2.819	3.256	4	4-1546310-1	
⑦④	-	-	-	-	-	-	-	2.819	3.256	4	4-1546310-0	
⑤③②①	-	-	-	-	-	-	-	2.819	3.256	4	3-1546310-9	
	-	-	-	-	-	-	-	2.819	3.256	4	1546310-4	
⑥④③	-	-	-	-	-	-	-	2.256	2.693	3	2-1546310-5	
⑥⑤①	-	-	-	-	-	-	3	2.256	2.693	3	2-1546310-4	
⑥⑤①	-	-	-	1	2	-	1	2.256	2.693	3	2-1546310-0	
	-	-	-	-	-	-	-	2.256	2.693	3	1546310-3	
	-	-	-	-	-	-	-	1.693	2.130	2	1546310-2	

NOTES	⑨ OTB JUMPER	⑧ .250 QC TAB 90° DOUBLE SIDE	⑦ .250 QC TAB 90°/45° DOUBLE SIDE	⑥ .250 QC TAB 90° DOUBLE SIDE	⑤ .250 QC TAB 45° DOUBLE SIDE	④ .250 QC TAB STRAIGHT DOUBLE SIDE	③ .250 QC TAB 90° SINGLE SIDE	② .250 QC TAB 45° SINGLE SIDE	① .250 QC TAB STRAIGHT SINGLE SIDE	DIM B	DIM A	NO. OF POSN	PART NUMBER
THIS DRAWING IS A CONTROLLED DOCUMENT.										DWN 16FEB2007 S SCHLEGEL			
DIMENSIONS: INCHES										CHK 2/16/07 S YODER			
TOLERANCES UNLESS OTHERWISE SPECIFIED:										APVD 2/16/07 S YODER			
0 PLC ± -										PRODUCT SPEC			
1 PLC ± -										APPLICATION SPEC			
2 PLC ± -										WEIGHT -			
3 PLC ± -										SIZE A2			
4 PLC ± -										CAGE CODE 00779			
ANGLES ± -										DRAWING NO C=1546310			
FINISH -										RESTRICTED TO -			
MATERIAL -										SCALE NTS SHEET 1 OF 4 REV T2			
CUSTOMER DRAWING													

THIS DRAWING IS UNPUBLISHED. RELEASED FOR PUBLICATION
 © COPYRIGHT BY TYCO ELECTRONICS CORPORATION. ALL RIGHTS RESERVED.

LOC	DIST	REVISIONS			
P	LTR	DESCRIPTION	DATE	DWN	APVD
FT	0	SEE SHEET 1	-	-	-



-	-	-	-	-	-	-	-	-	-	-	10.701	11.138	18	1-1546310-8
-	-	-	-	-	-	-	-	-	-	-	10.138	10.575	17	1-1546310-7
-	-	-	-	-	-	-	-	-	-	-	9.575	10.012	16	1-1546310-6
-	-	-	-	-	-	-	-	-	-	-	9.012	9.449	15	1-1546310-5
△/△6	-	-	-	-	-	-	-	14	14	14	8.449	8.886	14	4-1546310-9
-	-	-	-	-	-	-	-	-	-	-	8.449	8.886	14	1-1546310-4
NOTES	9	8	7	6	5	4	3	2	1		DIM B	DIM A	NO. OF POSN	PART NUMBER

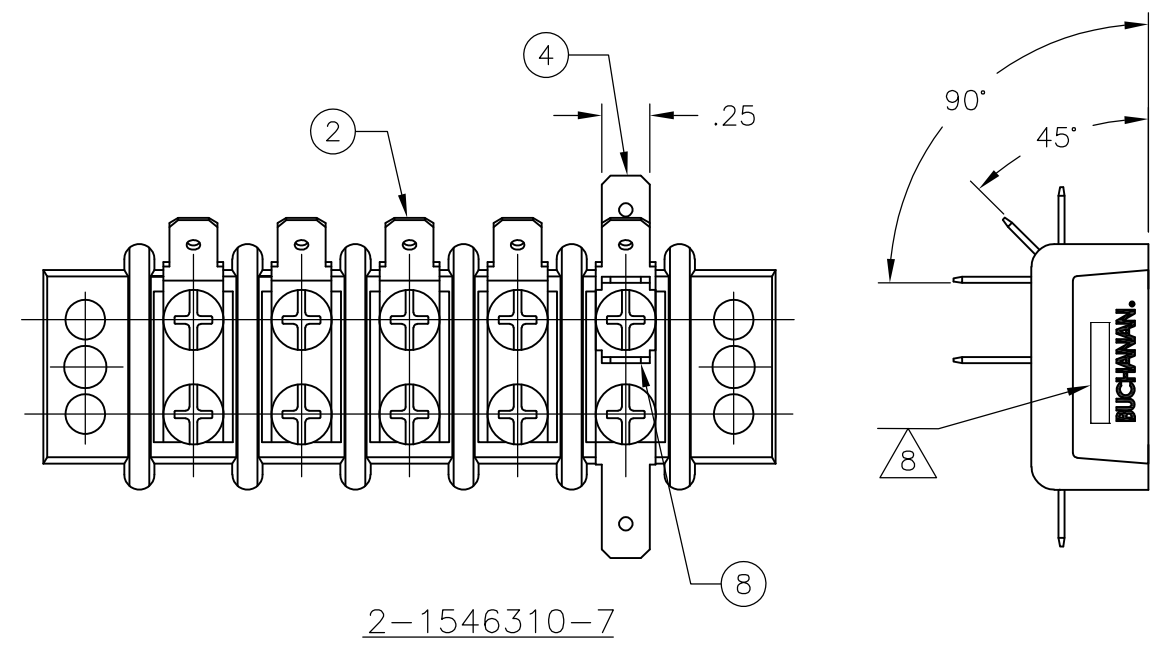
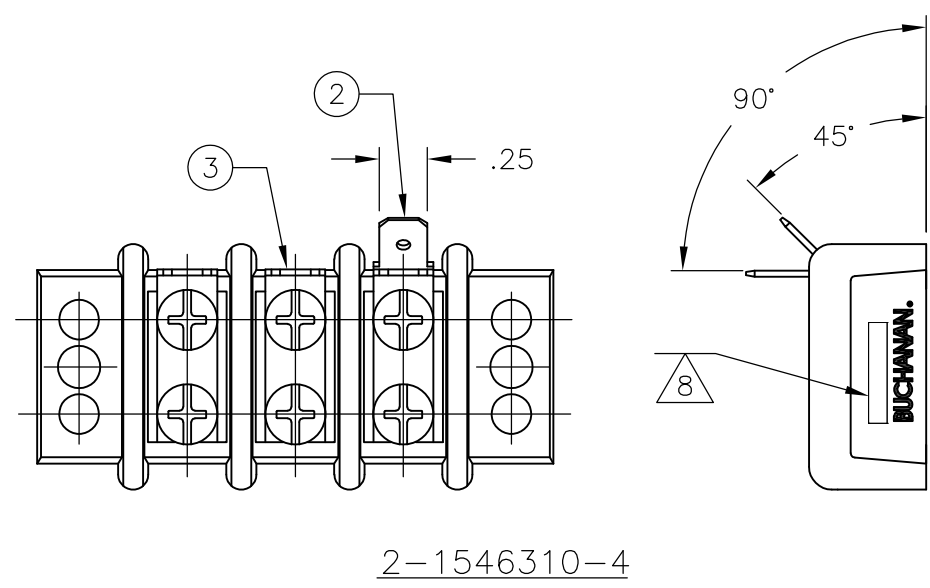
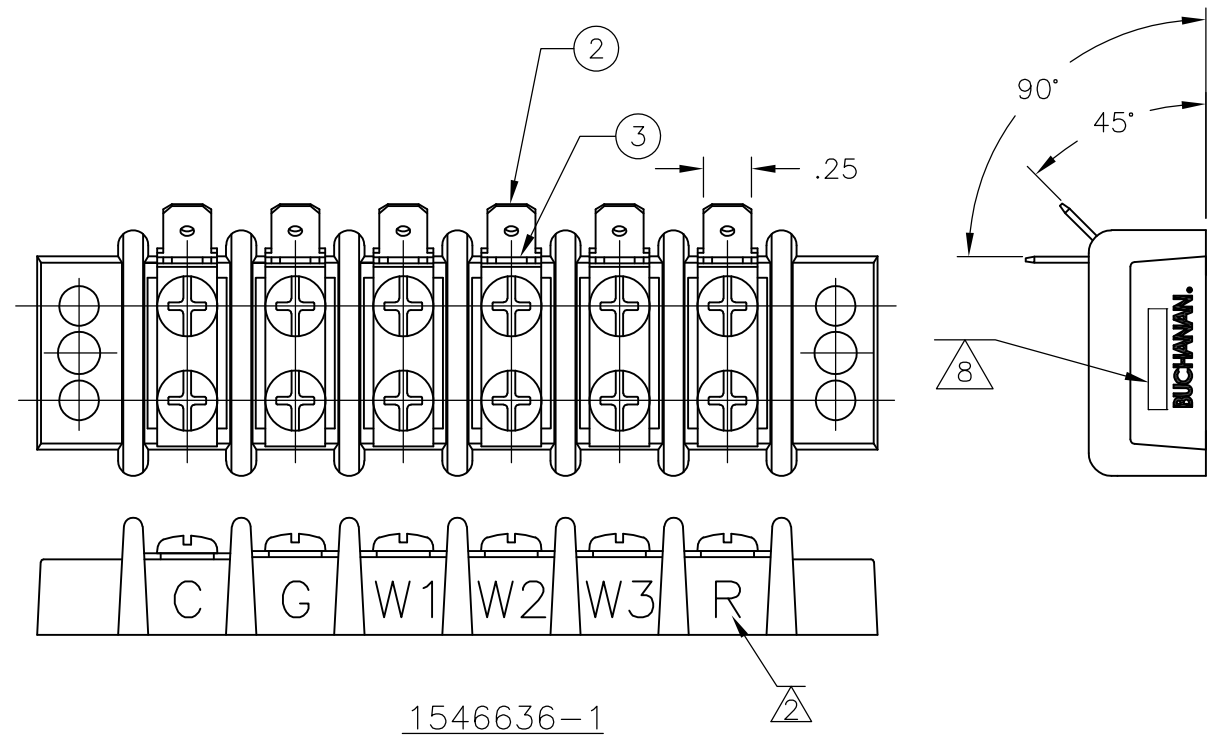
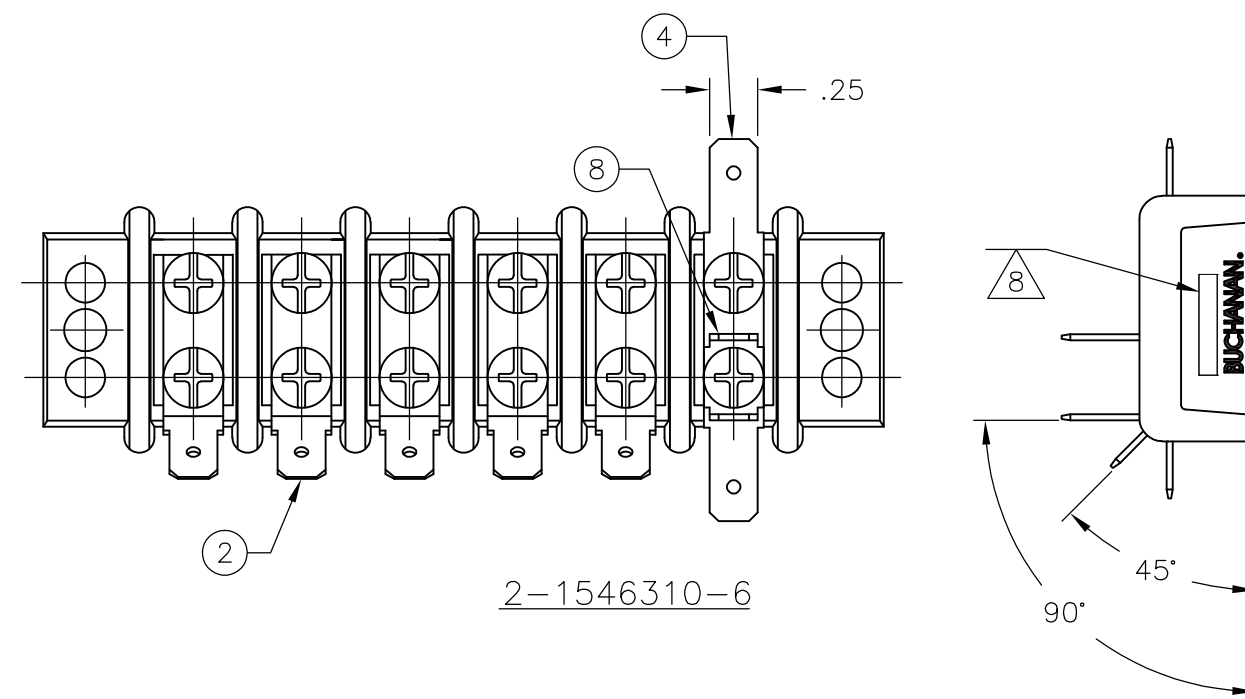
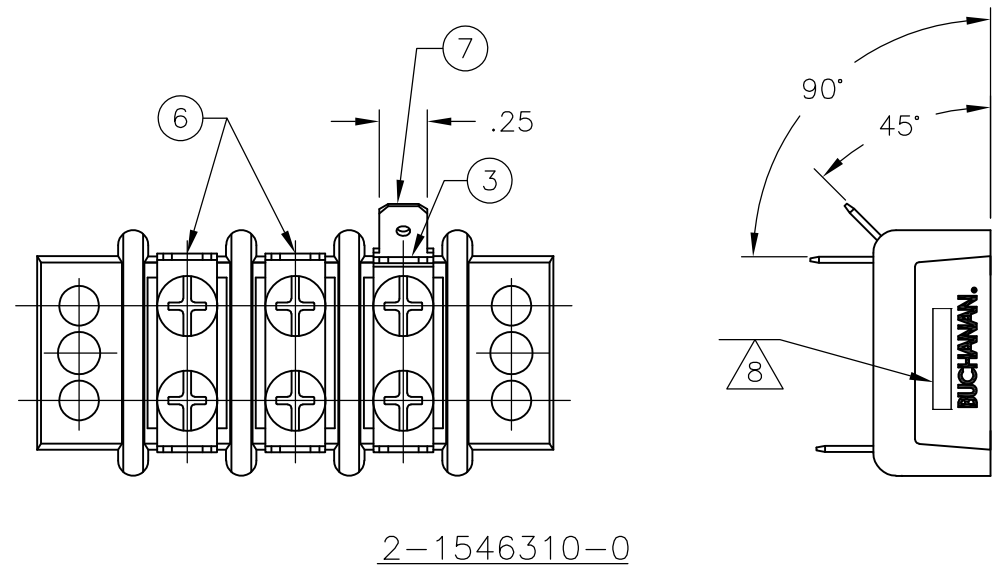
THIS DRAWING IS A CONTROLLED DOCUMENT.

DIMENSIONS: INCHES	TOLERANCES UNLESS OTHERWISE SPECIFIED:	DWN S SCHLEGEL 16FEB2007	Tyco Electronics Corporation Harrisburg, PA 17105-3608
		CHK S YODER 2/16/07	
		APVD S YODER 2/16/07	NAME 14.3 (.563) DBL ROW BARRIER STRIP W/O WASHER
		PRODUCT SPEC	
		APPLICATION SPEC	SIZE A2
MATERIAL	FINISH	WEIGHT	CAGE CODE 00779
			DRAWING NO C=1546310
		CUSTOMER DRAWING	RESTRICTED TO
		SCALE NTS	SHEET 2 of 4
			REV T2

1546310

THIS DRAWING IS UNPUBLISHED. RELEASED FOR PUBLICATION
 © COPYRIGHT BY TYCO ELECTRONICS CORPORATION. ALL RIGHTS RESERVED.

LOC		DIST		REVISIONS			
P	LTR	DESCRIPTION	DATE	DWN	APVD		
FT	0	SEE SHEET 1	-	-	-		

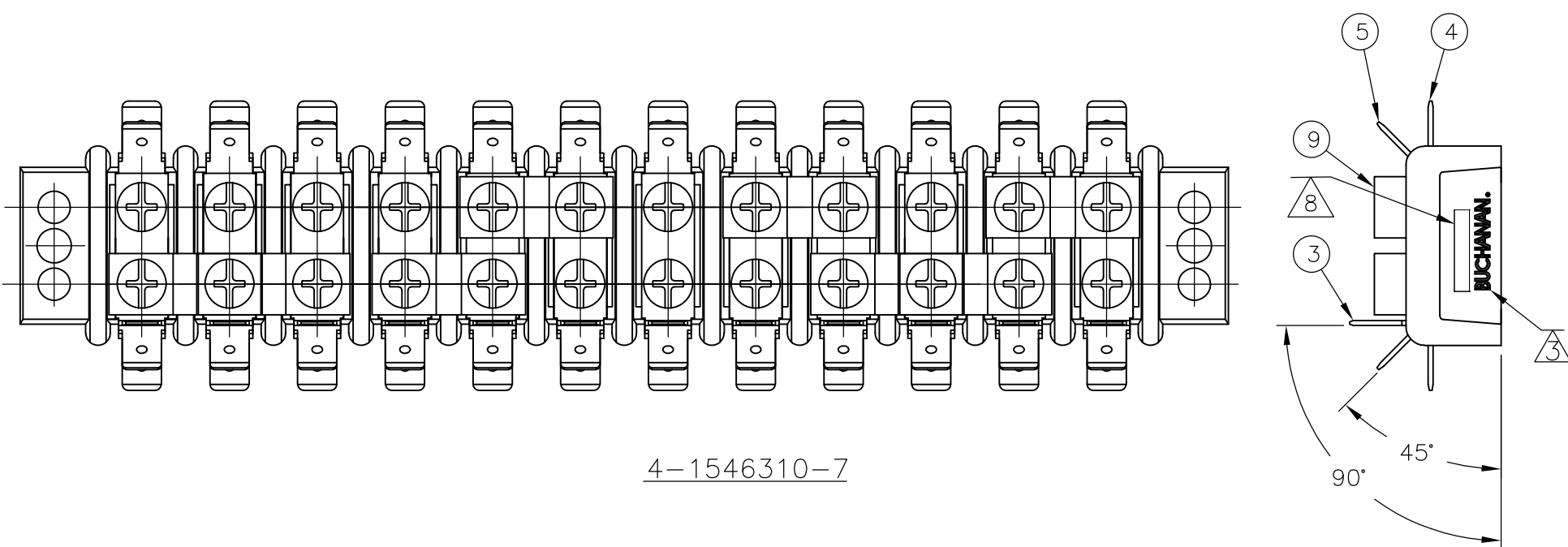


THIS DRAWING IS A CONTROLLED DOCUMENT.		DWN S SCHLEGEL 16FEB2007	Tyco Electronics Corporation Harrisburg, PA 17105-3608	
DIMENSIONS: INCHES		CHK S YODER 2/16/07	NAME 14.3 (.563) DBL ROW BARRIER STRIP W/O WASHER	
TOLERANCES UNLESS OTHERWISE SPECIFIED: 0 PLC ± - 1 PLC ± - 2 PLC ± - 3 PLC ± - 4 PLC ± - ANGLES ± - FINISH -		APVD S YODER 2/16/07	SIZE A2	
MATERIAL		PRODUCT SPEC	CAGE CODE 00779	DRAWING NO 1546310
		APPLICATION SPEC	RESTRICTED TO	
		WEIGHT	SCALE NTS	SHEET 3 of 4
		CUSTOMER DRAWING	REV T2	

1546310

THIS DRAWING IS UNPUBLISHED. RELEASED FOR PUBLICATION
 © COPYRIGHT BY TYCO ELECTRONICS CORPORATION. ALL RIGHTS RESERVED.

LOC	DIST	REVISIONS					
FT	0	P	LTR	DESCRIPTION	DATE	DWN	APVD
				SEE SHEET 1			



4-1546310-7

1546310

THIS DRAWING IS A CONTROLLED DOCUMENT.		DWN	S SCHLEGEL	16FEB2007	 Tyco Electronics Corporation Harrisburg, PA 17105-3608					
DIMENSIONS: INCHES		CHK	S YODER	2/16/07						
TOLERANCES UNLESS OTHERWISE SPECIFIED:		APVD	S YODER	2/16/07						
0 PLC ± - 1 PLC ± - 2 PLC ± - 3 PLC ± - 4 PLC ± - ANGLES ± -		PRODUCT SPEC	NAME			14.3 (.563) DBL ROW BARRIER STRIP W/O WASHER				
MATERIAL		FINISH	WEIGHT		SIZE	CAGE CODE	DRAWING NO	RESTRICTED TO		
-		-	-		A2	00779	C=1546310	-		
CUSTOMER DRAWING					SCALE	NTS	SHEET	4 OF 4	REV	T2